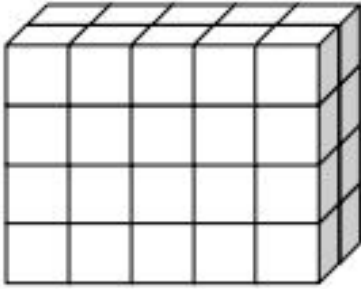


## Volume of Rectangular Prisms

Each rectangular prism is built from centimeter cubes. Find the dimensions and the volume.

a.



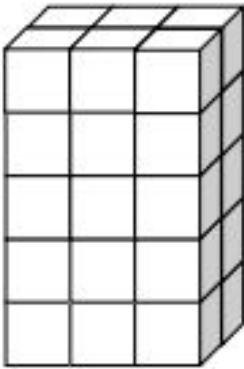
Length: \_\_\_\_\_ cm

Width: \_\_\_\_\_ cm

Height: \_\_\_\_\_ cm

Volume: \_\_\_\_\_  $\text{cm}^3$

b.



Length: \_\_\_\_\_ cm

Width: \_\_\_\_\_ cm

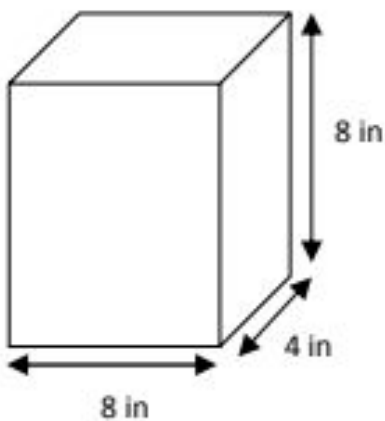
Height: \_\_\_\_\_ cm

Volume: \_\_\_\_\_  $\text{cm}^3$

---

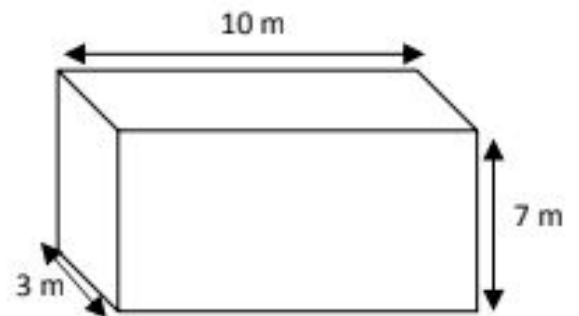
Calculate the volume of each rectangular prism. Include the units.

a.



V = \_\_\_\_\_

b.

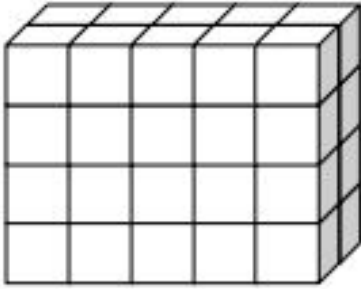


V = \_\_\_\_\_

## Volume of Rectangular Prisms

Each rectangular prism is built from centimeter cubes. Find the dimensions and the volume.

a.



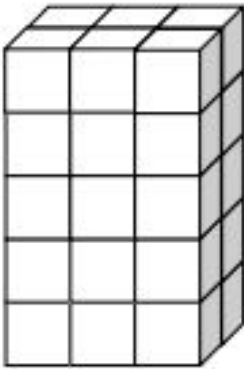
Length: 5 cm

Width: 2 cm

Height: 4 cm

Volume: 40 cm<sup>3</sup>

b.



Length: 3 cm

Width: 2 cm

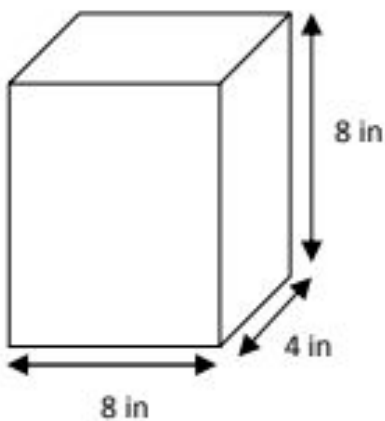
Height: 5 cm

Volume: 30 cm<sup>3</sup>

---

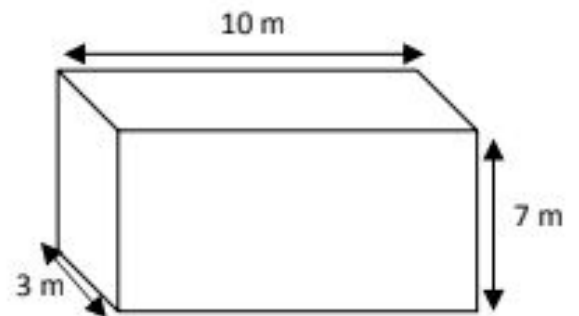
Calculate the volume of each rectangular prism. Include the units.

a.



V = 256 square inches

b.



V = 210 square m