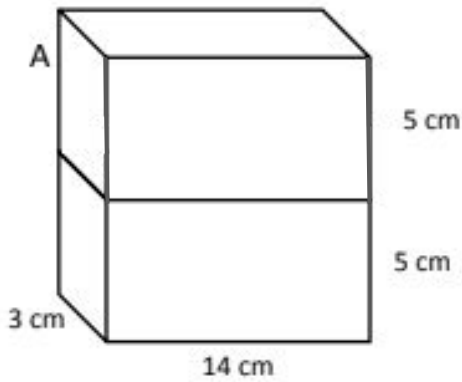


Volume of Composite Rectangular Prisms

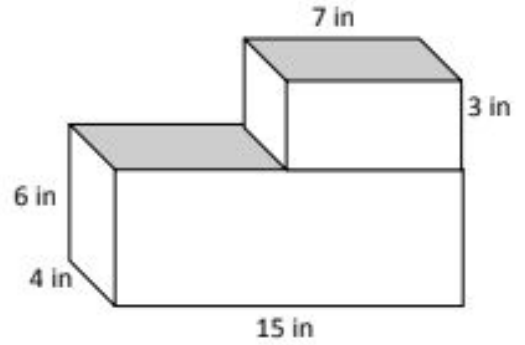
Find the total volume of the composite figures.

a.



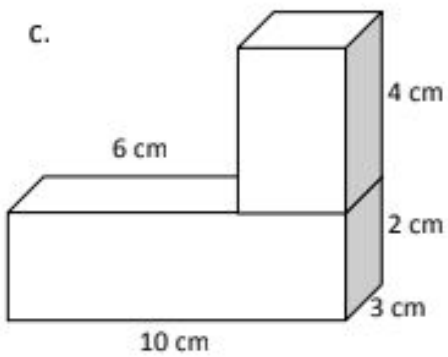
$V =$ _____

b.



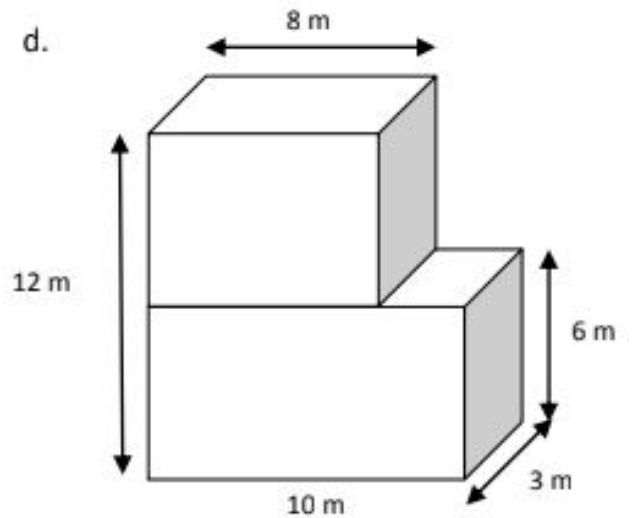
$V =$ _____

c.



$V =$ _____

d.

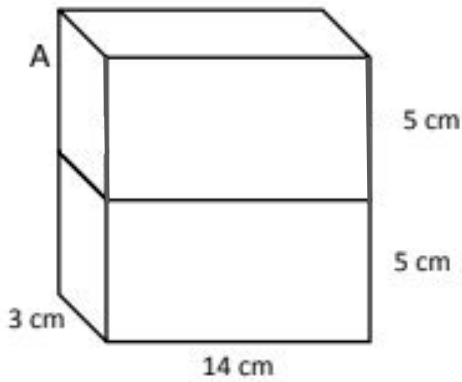


$V =$ _____

Volume of Composite Rectangular Prisms

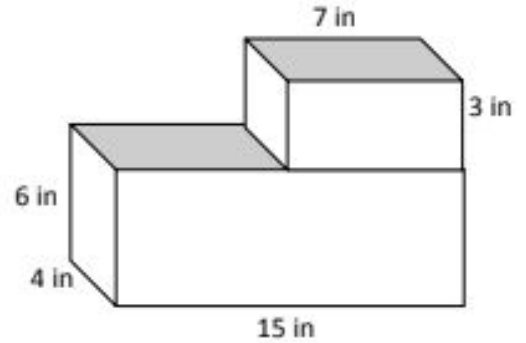
Find the total volume of the composite figures.

a.



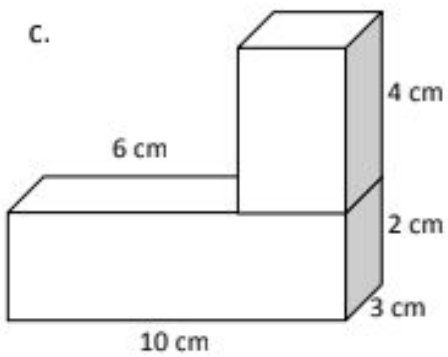
$$V = \underline{420 \text{ cm}^3}$$

b.



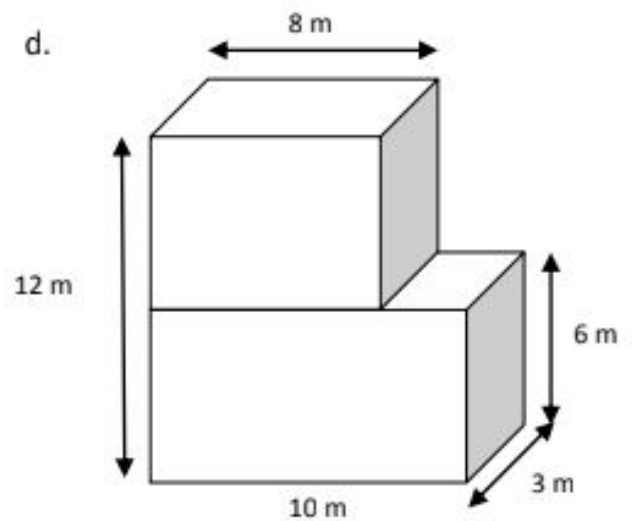
$$V = \underline{444 \text{ in}^3}$$

c.



$$V = \underline{108 \text{ cm}^3}$$

d.



$$V = \underline{324 \text{ m}^3}$$