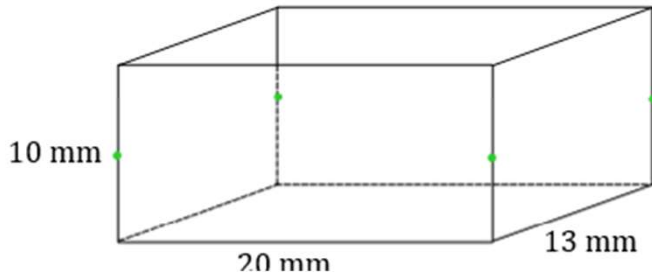


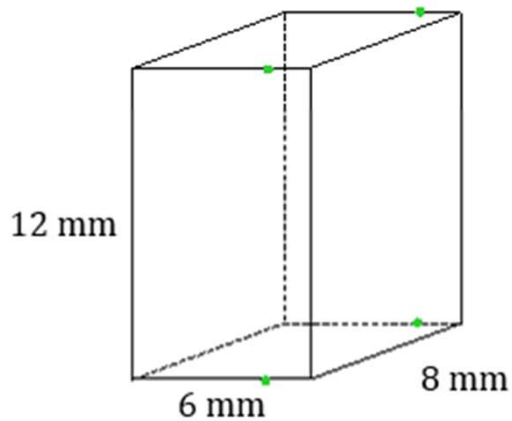
## Slicing Solids Worksheets

In the following exercises, the dimensions of the prisms have been provided. Use the dimensions to sketch the slice from each prism, and provide the dimensions of each slice.

a) A slice parallel to a face



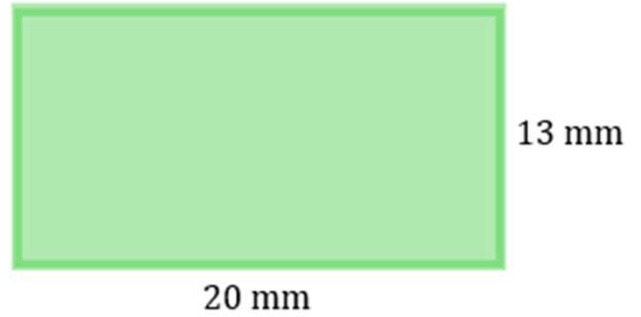
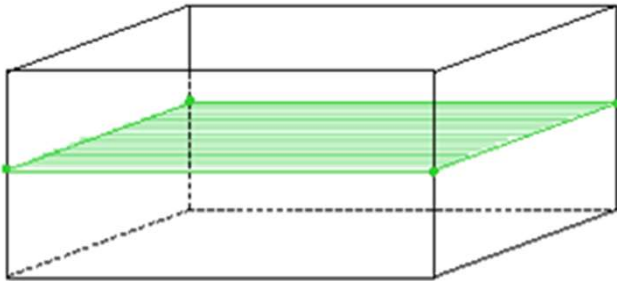
b) A slice perpendicular to a face



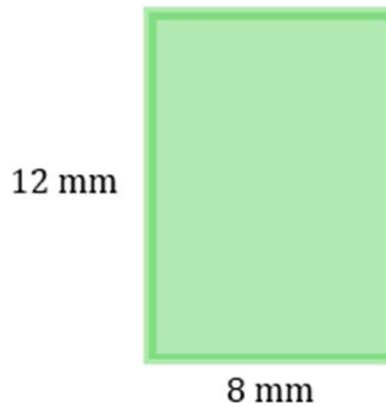
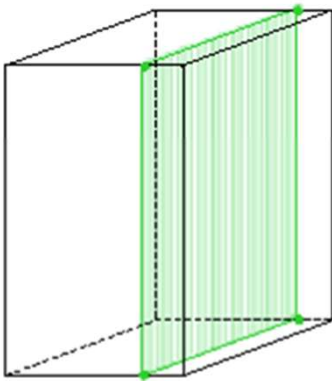
## Slicing Solids Worksheets

In the following exercises, the dimensions of the prisms have been provided. Use the dimensions to sketch the slice from each prism, and provide the dimensions of each slice.

a) A slice parallel to a face



b) A slice perpendicular to a face



Go to [onlinemathlearning.com](https://www.onlinemathlearning.com) for more free math resources