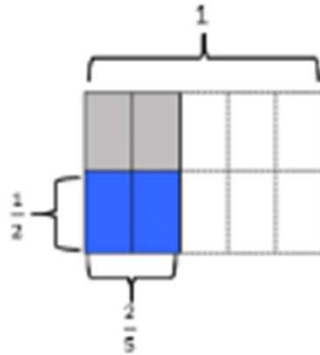


Multiply Fractions Worksheets

1. Solve. Draw a rectangular fraction model to explain your thinking. Then, write a number sentence. An example has been done for you.

Example:

$$\frac{1}{2} \text{ of } \frac{2}{5} =$$



$$\frac{1}{2} \times \frac{2}{5} = \frac{2}{10} = \frac{1}{5}$$

a. $\frac{1}{3}$ of $\frac{3}{4} =$

b. $\frac{1}{2}$ of $\frac{4}{5} =$

c. $\frac{1}{2}$ of $\frac{2}{2} =$

d. $\frac{2}{3}$ of $\frac{1}{2} =$

e. $\frac{1}{2} \times \frac{3}{5} =$

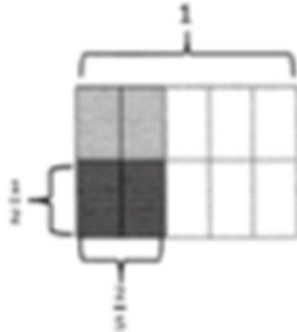
f. $\frac{2}{3} \times \frac{1}{4} =$

Multiply Fractions Worksheets

1. Solve. Draw a rectangular fraction model to explain your thinking. Then, write a number sentence. An example has been done for you.

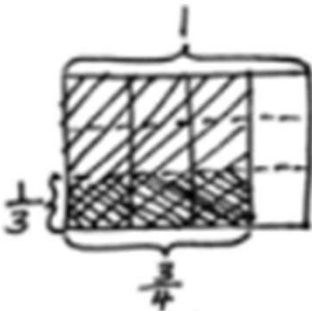
Example:

$$\frac{1}{2} \text{ of } \frac{2}{5} =$$



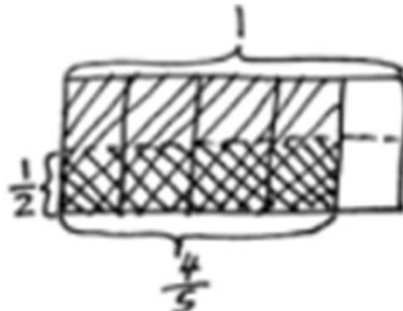
$$\frac{1}{2} \times \frac{2}{5} = \frac{2}{10} = \frac{1}{5}$$

a. $\frac{1}{3} \text{ of } \frac{3}{4} =$



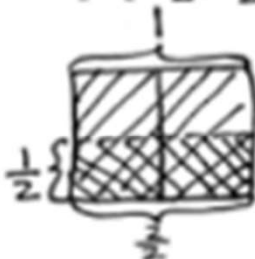
$$\frac{1}{3} \times \frac{3}{4} = \frac{3}{12} = \frac{1}{4}$$

b. $\frac{1}{2} \text{ of } \frac{4}{5} =$

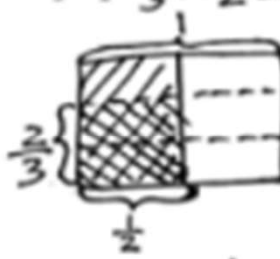


$$\frac{1}{2} \times \frac{4}{5} = \frac{4}{10} = \frac{2}{5}$$

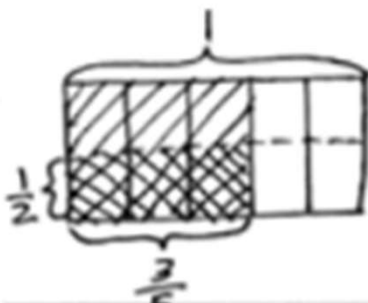
c. $\frac{1}{2} \text{ of } \frac{2}{2} = \frac{1}{2} \times \frac{2}{2} = \frac{2}{4} = \frac{1}{2}$



d. $\frac{2}{3} \text{ of } \frac{1}{2} = \frac{2}{3} \times \frac{1}{2} = \frac{2}{6} = \frac{1}{3}$



e. $\frac{1}{2} \times \frac{3}{5} = \frac{3}{10}$



f. $\frac{2}{3} \times \frac{1}{4} = \frac{2}{12} = \frac{1}{6}$

