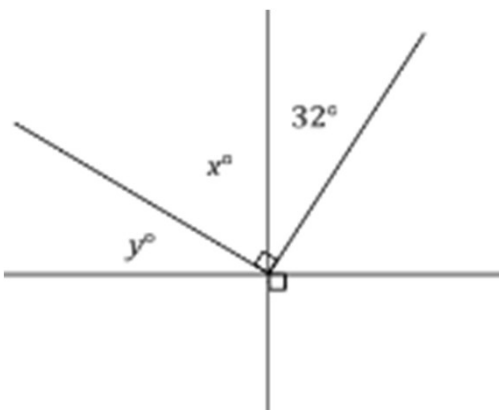
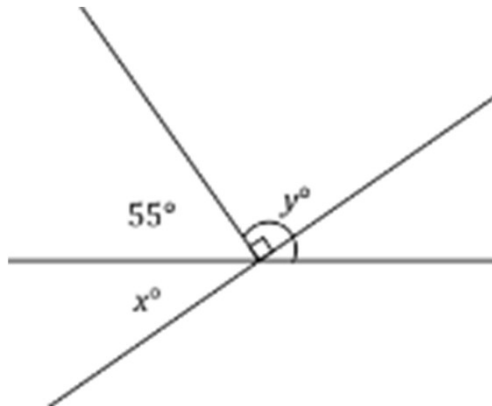
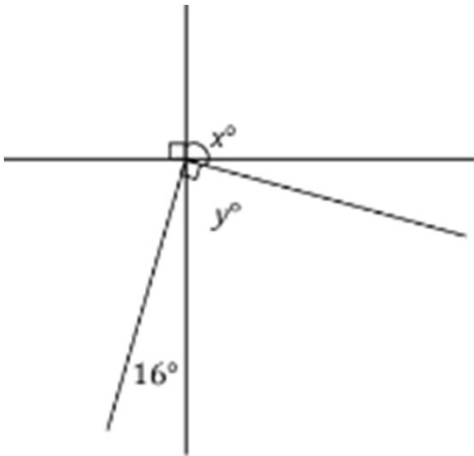


Angle Worksheets

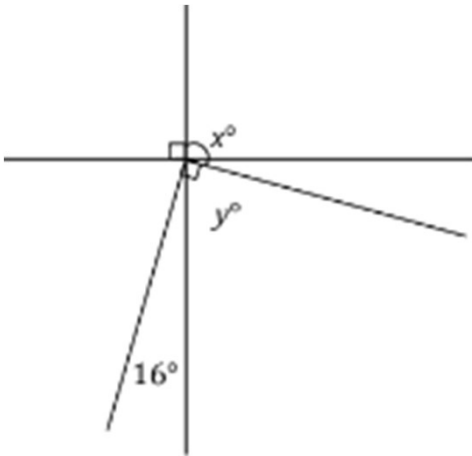
Using complementary and supplementary angle properties, find the values for x and y .



Go to onlinemathlearning.com for more free math resources

Angle Worksheets

Using complementary and supplementary angle properties, find the values for x and y.

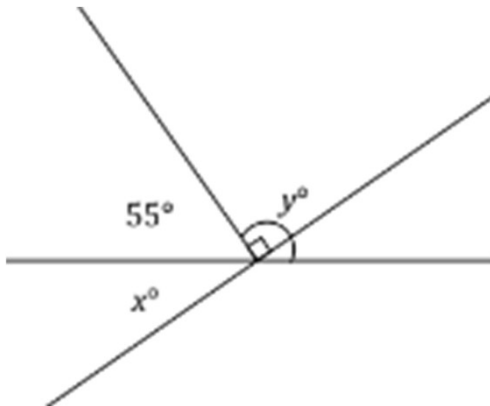


$$\begin{aligned}16 + y &= 90 \\16 - 16 + y &= 90 - 16 \\y &= 74\end{aligned}$$

complementary angles

$$\begin{aligned}x + (74) &= 180 \\x + 74 - 74 &= 180 - 74 \\x &= 106\end{aligned}$$

supplementary angles

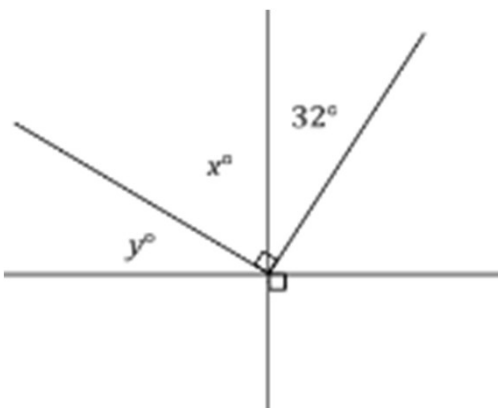


$$\begin{aligned}x + 55 &= 90 \\x + 55 - 55 &= 90 - 55 \\x &= 35\end{aligned}$$

complementary angles

$$\begin{aligned}55 + y &= 180 \\55 - 55 + y &= 180 - 55 \\y &= 125\end{aligned}$$

supplementary angles



$$y + x = 90$$

complementary angles

$$\begin{aligned}x + 32 &= 90 \\x + 32 - 32 &= 90 - 32 \\x &= 58\end{aligned}$$

complementary angles

$$\begin{aligned}y + (58) &= 90 \\y + 58 - 58 &= 90 - 58 \\y &= 32\end{aligned}$$

complementary angles

Go to onlinemathlearning.com for more free math resources