

## 2-Step Word Problems

1. The Turner family uses 548 liters of water per day. The Hill family uses 3 times as much water per day. How much water does the Hill family use per week?

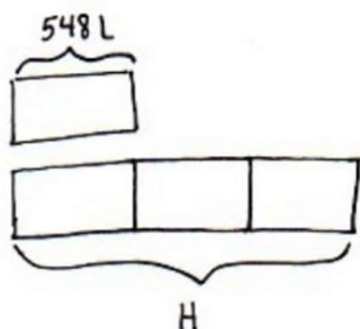
2. Jayden has 347 marbles. Elvis has 4 times as many as Jayden. Presley has 799 fewer than Elvis. How many marbles does Presley have?

3. The table shows the cost of party favors. Each party guest receives a bag with 1 balloon, 1 lollipop, and 1 bracelet. What is the total cost for 9 guests

Item	Cost
1 balloon	26¢
1 lollipop	14¢
1 bracelet	33¢

## 2-Step Word Problems

1. The Turner family uses 548 liters of water per day. The Hill family uses 3 times as much water per day. How much water does the Hill family use per week?



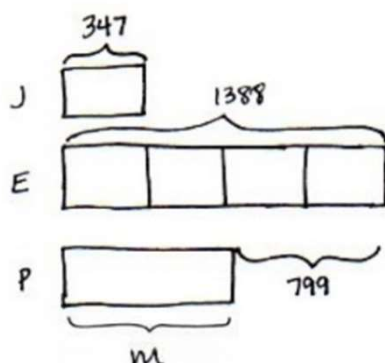
$$\begin{array}{r} 548 \\ \times 3 \\ \hline 1644 \end{array}$$

$$\begin{array}{r} 1644 \\ \times 7 \\ \hline 11,508 \end{array}$$

The Hill family uses 11,508 liters of water per week.

H = 11,508 L

2. Jayden has 347 marbles. Elvis has 4 times as many as Jayden. Presley has 799 fewer than Elvis. How many marbles does Presley have?



$$\begin{array}{r} 347 \\ \times 4 \\ \hline 1388 \end{array}$$

Presley has 589 marbles.

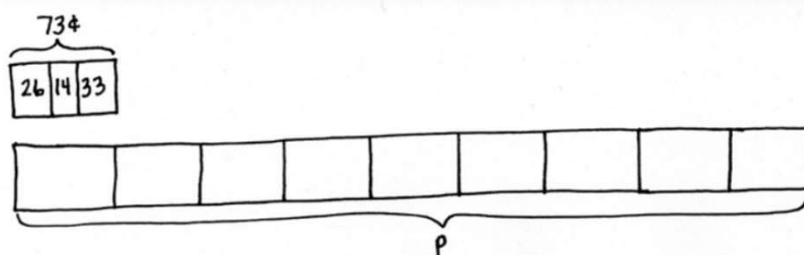
$$1388 - 800 = 588$$

$$588 + 1 = 589$$

M = 589 marbles

3. The table shows the cost of party favors. Each party guest receives a bag with 1 balloon, 1 lollipop, and 1 bracelet. What is the total cost for 9 guests?

Item	Cost
1 balloon	26¢
1 lollipop	14¢
1 bracelet	33¢



$$26 + 14 + 33$$

$$40 + 33 = 73$$

$$\begin{array}{r} 73 \\ \times 9 \\ \hline 657 \end{array}$$

The total cost for 9 party bags is 657¢.

P = 657¢

Go to [onlinemathlearning.com](http://onlinemathlearning.com) for more free math resources